

电流电路  
CURRENT CIRCUIT

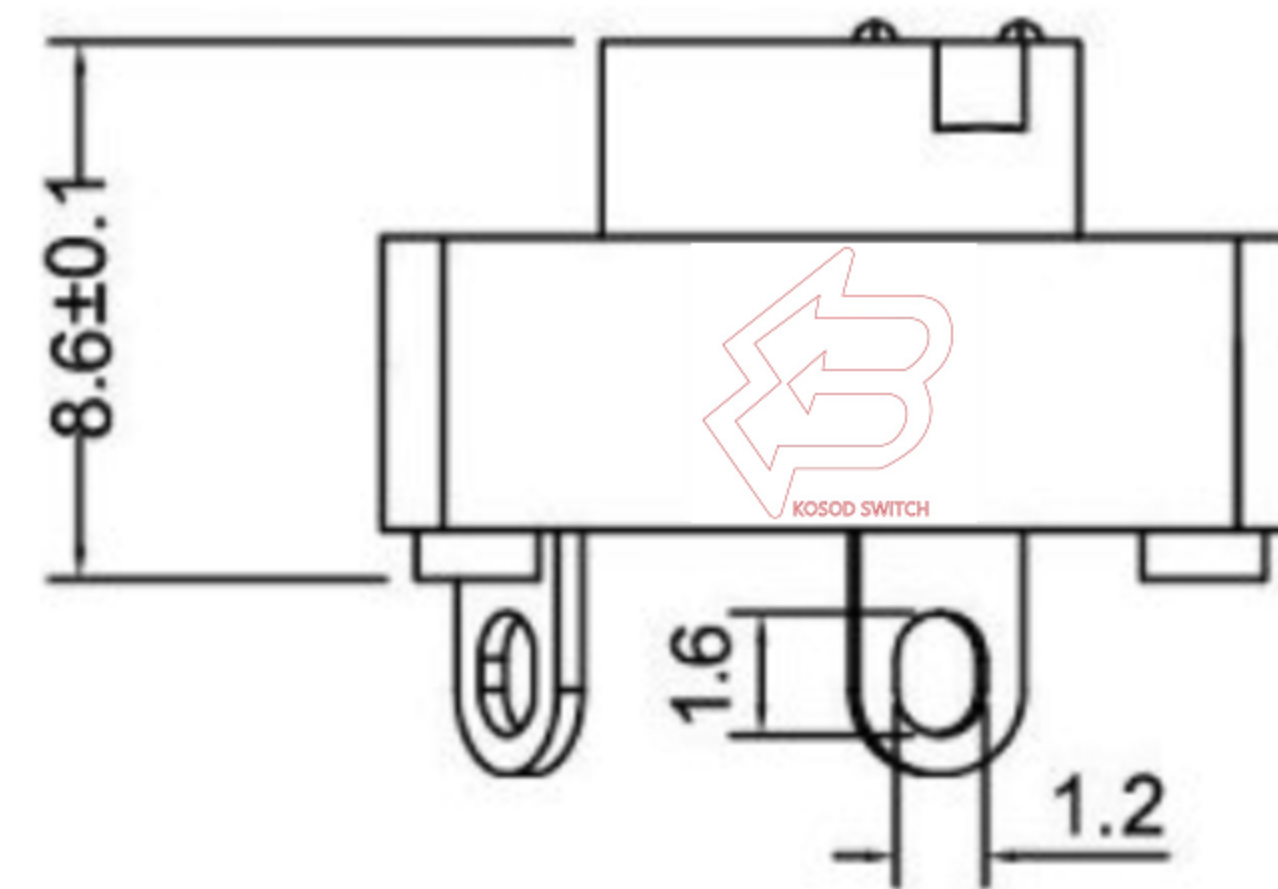
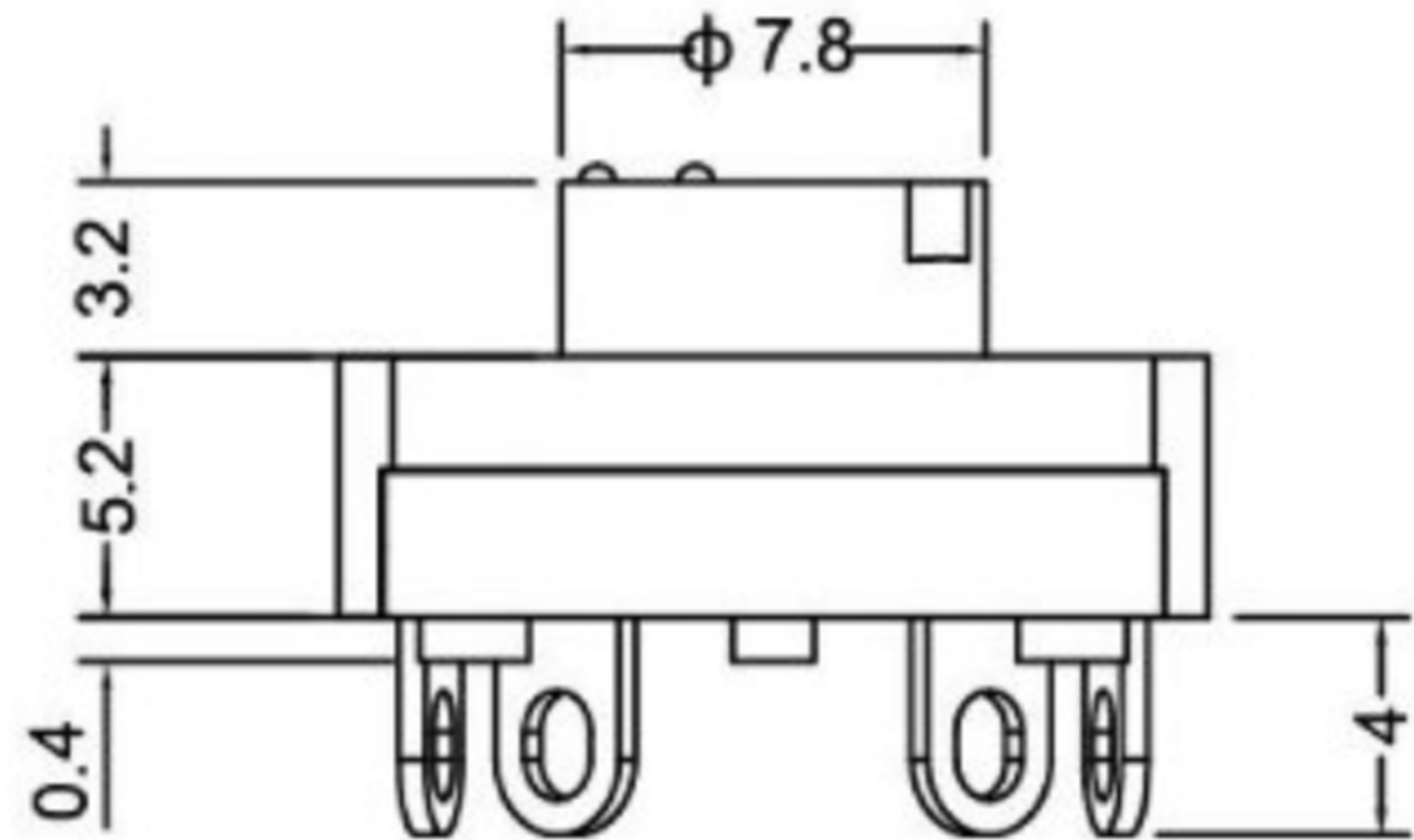
POSITION	CIRCUIT
A	
B	

# 旋转开关

- 电压转换开关型号 CHANGE-OVER SELECTOR MODEL:CYB-CSR4
- 焊线端子 SOLDER CONNECTOR TYPE;  
双刀双掷 DOUBLE POLE DOUBLE THROW
- 额定值 RATING: ▲ 16(3)A 125/250VAC  $\mu$ T105/55

- ▲ 16A 125/250VAC  $\mu$ T85/55
- 10A 125/250VAC  $\mu$ T85/55
- 5A 125/250VAC  $\mu$ T85/55

- 接触电阻 CONTACT RESISTANCE: <50m $\Omega$  (INITIAL)
- 绝缘电阻 INSULATION RESISTANCE:  $\geq$ 100M $\Omega$ (DC500V/1MIN)
- 介电强度 DIELECTRIC STRENGTH: 1500V /5mA /1MIN
- 机械寿命 MECHANICAL LIFE: >50000 CYCLES
- 电气寿命 ELECTRICAL LIFE: >1000 CYCLES
- 端子手工焊接条件 SOLDER ABILITY OF TERMINAL: MAX260°C. 3S
- 操作力 OPERATION FORCE:1000 $\pm$ 200gf
- 所有部件均使用环保材料 ALL MATERIALS ARE RoHS COMPLIANT



东莞市高迪电子有限公司  
DONG GUAN GAO DI ELECTRONICS CO., LTD

TOLERANCE UNLESS OTHERWISE STATED:  
 Up to 5  $\pm$ 0.2  
 Above 5 ~ 15  $\pm$ 0.3  
 Above 15 ~ 30  $\pm$ 0.4  
 Above 30 ~ 50  $\pm$ 0.5  
 Angle  $\pm$ 0.3°

3RD. ANGEL'S UNITS MM

DRAWN BY: Ming Ming Zou	DATE 07/23/13	MAT'L	TITLE ENCODER
CHECKED BY: Ning Ning Su	DATE 07/23/13	FINISH	MODLE ENCODER W/I SWITCH
APPROVED BY: Jia Xiang	DATE 07/23/13	SCALE 1:1	DWG NO. GD-CYB-ASR4
SHEET NO. 1 of 1		PART NO.	SIZE A4 VER R2

ITEM NO.	DESCRIPTION	DRAWN	DATE
2	公差及料號更新	Jack	072313
1	圖面更新	Frank Wu	021012